

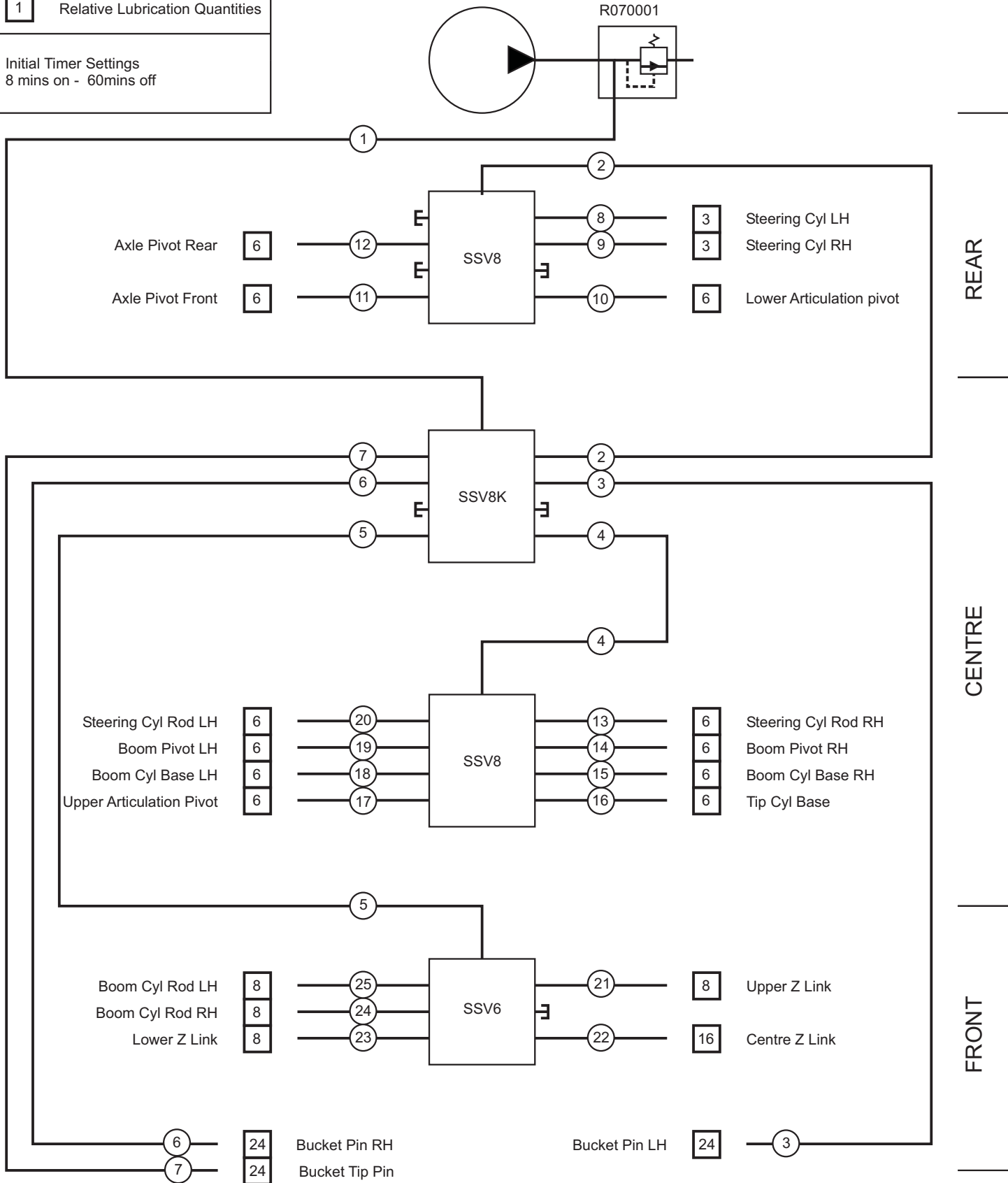
① Hose and fitting designation

① Relative Lubrication Quantities

Initial Timer Settings
8 mins on - 60mins off

Lincoln 203 Pump - 4 litre, 24 Volt
R060001

350 Bar Relief Valve
R070001



NOTE - Centre Propshaft bearing is NOT connected to the autolube system to prevent the risk of over lubrication.



Caterpillar 962H Wheel Loader Automatic Lubrication Schematic

Drg No: T150002

Issue: 1

Date: 11-07-2009